

13AN795G790 LT-542H (2007)
Deck Assembly 42

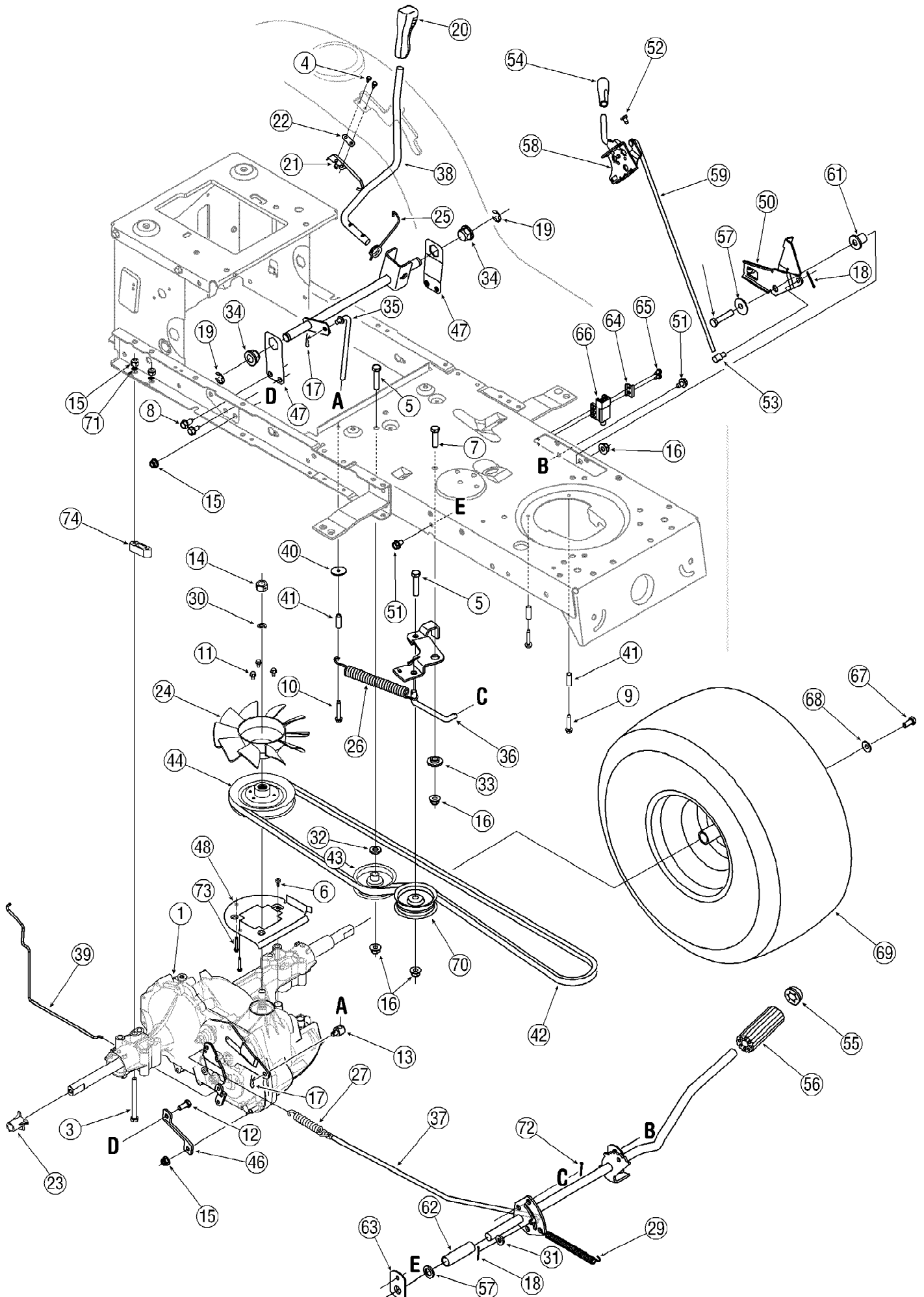
Page 2 of 23

Ref #	Part Number	Qty	S/P/F	Description
1	918-04456	1	S	Spindle Assembly, Pul, 6.3" Dia
1	712-0417A	1	/P	Flange Nut:5/8-18 Not shown
1	938-04241	1	/P	Spindle Shaft:5.50 LG Not shown
1	941-0919	1	/P	Ball Bearing:20x47x14:62 Not shown
1	750-04739	1		Spacer:.820x 1.150 x .480 Not shown
1	750-1000	1		Spacer:.80 x 1.10 x 1.322 Not shown
1	956-1227	1	/P	Deck Pulley:6.3 Dia Not shown
2	683-04138B	1	/P	Brake Assembly, Deck
3	683-04165A	1	S	Deck Shell, 42" (w/o Wheel Brkt)
3	683-04162A	1	S	Deck Shell, 42" (w/ Wheel Brkts.)
4	683-04167	1	S	Brake Assembly, Deck
5	683-04228	1		Brkt. Ass'y, Deck, Hanger LH
6	710-3015	1	/P	Screw, 1/4-20, .75, Gr5
7	710-1260A	1	/P	Screw, 5/16-18, 0.750
8	710-0528	1	/P	Screw, 5/16-18, 1.250
9	710-0604A	1	/P	Screw, 5/16-18, 0.625
10	710-3085	1	/P	Screw, 3/8-16, 3.50, Gr5
11	710-0778	1	/P	Screw, 1/4-20, 1.500
12	710-3008	1	/P	Screw, 5/16-18, .75, Gr5
13	710-0134	1	/P	Carriage Screw, , 1/4-20 x .62 If equipped
14	737-04003C	1	S	Deck Water Nozzle If equipped
15	712-3006	1	/P	Nut, Hex, 1/4-20, Gr5
16	712-0417A	1	/P	Nut, Flange, 5/8-18
17	738-0373	1	S	Screw, Shldr, .498 x 1.53, 3/8-16
18	712-04063	1	/P	Nut, Flange Lock, 5/16-18, GrF
19	712-04065	1	/P	Nut, Flange Lock, 3/8-16, GrF
20	712-0641	1	S	Nut, Hex, M16-1.5
21	712-3083	1	/P	Nut, Hex Lock, 1/2-13, Gr8
22	712-0206	1	S	Nut, Hex, 1/2-13, Gr5
23	714-0104	1	S	Pin, Cot, .072 Dia. x 1.13 Lg
24	717-04074	1	S	Gear, Deck Adjustment
25	726-0233	1	/P	Nut, Push, .25 ID x .50 OD
26	732-04280B	1	/P	Spring, Exten. , .75 Dia. x 6.375
27	732-04287	1		Spring, Exten. , .50 Dia. x 6.375
28	734-0973	1	/P	Wheel, Deck 5.0 x 1.38 If equipped
29	736-0119	1	S	Washer, Lock, 5/16
30	736-0270	1	/P	Washer, Bell, .265 x .75 x .062
31	783-04740	1		Deck Engagement Cable Bracket
32	736-0267	1	S	Washer, Flat, .385 x .87 x .06
33	736-0225	1	/P	Washer, Lock, 5/8, Internal Tooth
34	736-0187	1	/P	Washer, Flat, .64 x 1.24 x .06
35	738-04166	1		Spacer, Shoulder, .5000 x .1475
36	738-04146	1		Plug, Screw, M16 x 1.5
37	738-04162A	1	/P	Spacer, Shoulder, .8840 x .190
38	742-0616A	1	S	Blade, 21.23", Star 3-in-1
39	731-2363	1	/P	Mulch Plug If equipped
40	747-04379A	1	/P	Control Rod, Brake
41	747-04269A	1	/P	Deck Rod, Front Adjustable
42	748-04069	1		Pivot Cup, Deck Lift
43	750-0566A	1	/P	Spacer, .260 x .372 x 1.030
44	754-04060B	1	S	Belt, V-Type
45	756-04129	1	S	Idler Pulley, 4.25" Dia.
46	712-3087	1	/P	Nut, Hex, 1/4-20 If equipped

13AN795G790 LT-542H (2007)
Deck Assembly 42

Page 3 of 23

Ref #	Part Number	Qty	S/P/F	Description
47	783-04327A	1		Cover, Belt, 6.00 Dia.
48	750-04446	1		Spacr, 3/8 ID x .68 OD x 1.46 Lg.
49	710-0347	1	/P	Screw, 3/8-16 x 1.75
50	731-1032B	1	S	Chute Assembly, Discharge
51	712-0229	1		Nut, Push, 3/8
52	710-0599	1	/P	Screw, 1/4-20, 0.500 If equipped
53	783-1146A	1	S	Deck Skirt If equipped
54	721-04041	1	S	Water Nozzle Adapt If equipped



13AN795G790 LT-542H (2007)
Drive

Page 5 of 23

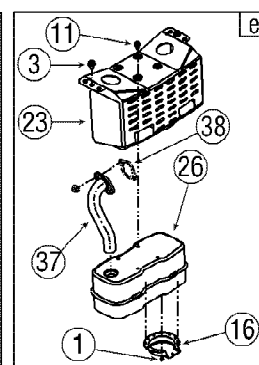
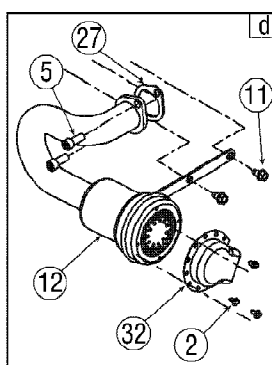
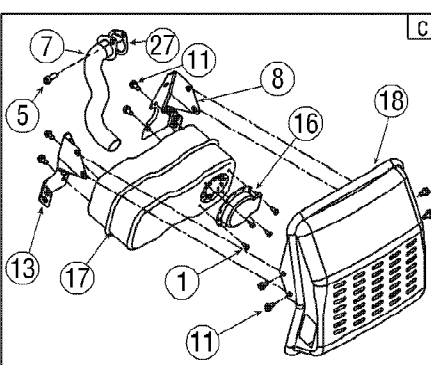
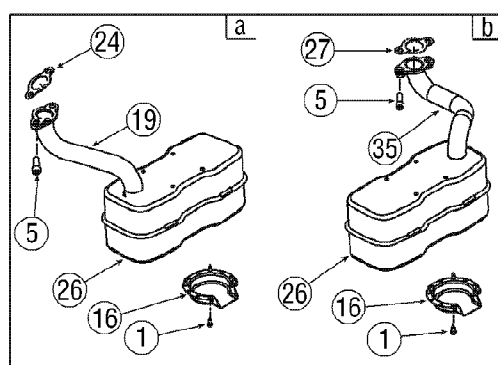
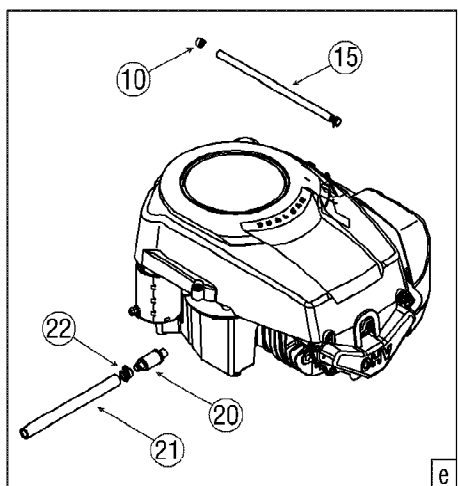
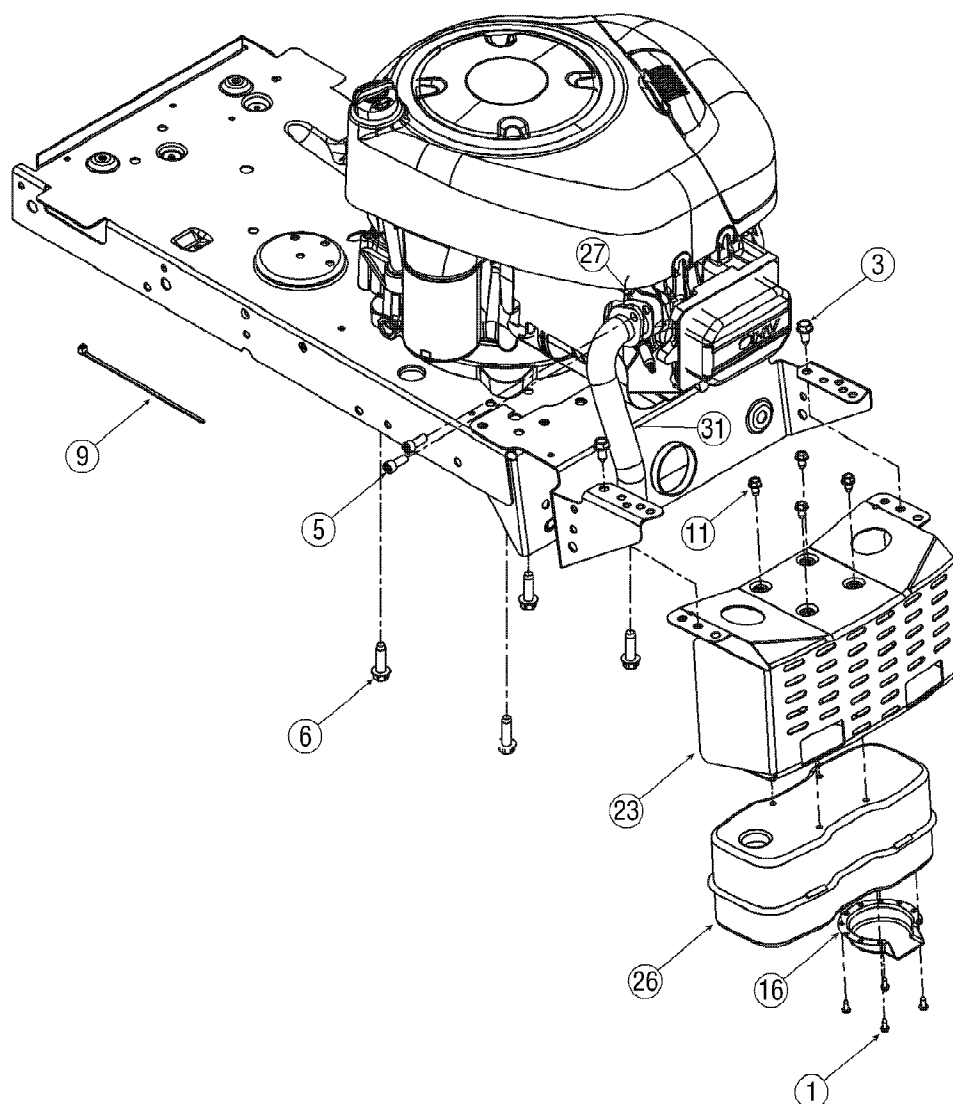
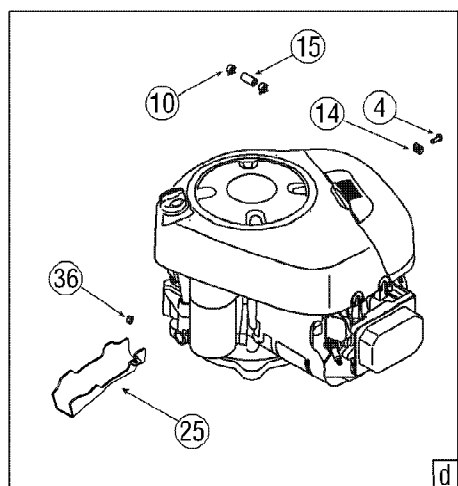
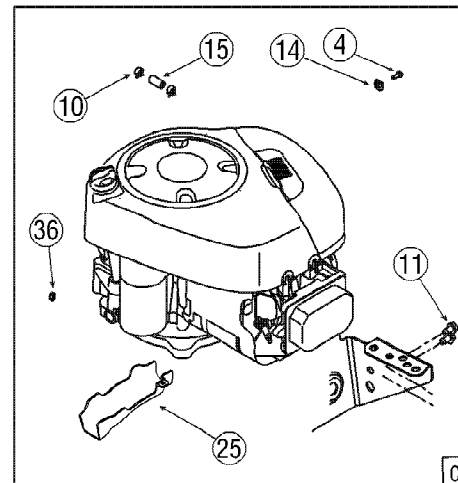
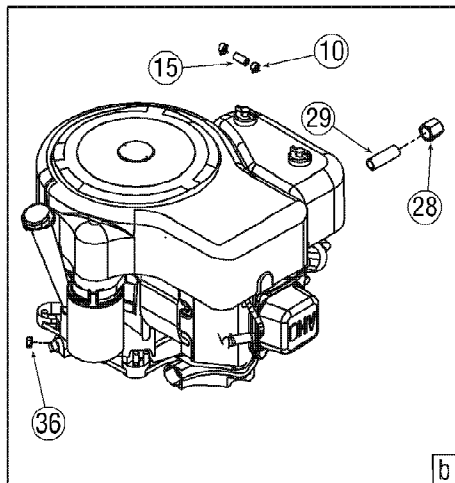
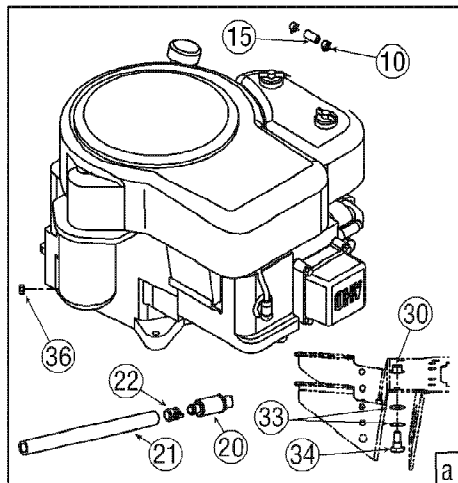
Ref #	Part Number	Qty	S/P/F	Description
1	618-04198	1	S	Transmission Assembly, Hydro
2	647-04038A	1	/P	Control Assembly, Hydrostatic
3	710-0176	1	/P	Hex Screw, 5/16-18, 2.75, Gr5,
3	710-1266	1	/P	Hex Screw, 5/16-18, 3.50, Gr5, 46" Deck Models only
4	710-0227	1	/P	Screw, #8-18, 0.500
5	710-0347	1	/P	Hex Screw, 3/8-16, 1.75
6	710-0351	1	/P	Screw, B, #10-16, 0.500
7	710-0514	1	/P	Hex Screw, 3/8-16, 1.00, Gr5
8	710-0604A	1	/P	Screw, 5/16-18, 0.625
9	710-0809	1		Screw, 1/4-20, 1.250
10	710-1325	1	/P	Screw, 1/4-20, 1.625
10	710-1026	1	/P	Screw, 1/4-20, 1.75 46" Deck Models only
11	710-3007	1	/P	Screw, #12-24, 0.375
12	710-3008	1	/P	Hex Screw, 5/16-18, .75, Gr5
13	711-04448	1		Ferrule, 5/16-24 x .312 Dia.
14	712-3066	1	S	Nut, Hex Lock, 1/2-20, Gr5
15	712-04063	1	/P	Nut, Flange Lock, 5/16-18, Grf
16	712-04065	1	/P	Nut, Flange Lock, 3/8-16, Grf
17	714-0104	1	S	Pin, Cotter, .072 Dia. x 1.13
18	714-0111	1	S	Pin, Cotter, 3/32, 1.0
19	716-0106A	1		Ring, E-Type, .625 Dia.
20	720-0311	1		Grip, Handle, 1/2
21	725-04249	1		Spring Switch, Hydro
22	726-0320	1	S	Plate, Insulator Nut
23	731-05299	1		Sleeve, .765 x 1.50
24	731-1449A	1	S	Fan, 10"
25	732-04225	1		Spring, Torsion
26	732-04229	1		Spring, Extension, .75 OD x 6.02
27	732-0716C	1	S	Spring, Extension, .59 OD x 4.00
28	732-0729	1	/P	Ring, Wire
29	732-0963	1		Spring, Extension, .50 Dia x 6.37
30	736-0921	1	S	Washer, Lock, 1/2
31	736-3008	1	S	Washer, Flat, .344 x .750 x .120
32	736-3010	1		Washer, Flat, .407x.812x.135
33	738-0347	1	S	Spacer, Shoulder, .625 ID x .169
34	741-0225	1	S	Bearing, Hex Flange
35	747-04407A	1		Control Rod, Hydrostatic
36	747-04283A	1	/P	Declutching Rod
37	747-04286	1		Brake Rod, Hydrostatic
37	747-04679	1		Brake Rod, Hydrostatic 46" Deck 46" Deck Models only
38	747-04296	1	S	Control Handle, Hydrostatic
39	747-04316	1		Bypass Rod, Hydrostatic
39	747-04621	1		Bypass Rod, Hydrostatic 46" Dk. 46" Deck Models only
40	738-04178	1	S	Shoulder Spacer, .375 x .274
40	710-0211	1		Washer, Flat, .285 x 1.25 x .06 46" Deck Models only
41	750-0566A	1	/P	Spacer, .260 x .372 x 1.030

13AN795G790 LT-542H (2007)
Drive

Page 6 of 23

Ref #	Part Number	Qty	S/P/F	Description
41	750-04456	1		Spacer, .260 x .372 x 1.420 46" Deck Models only
42	754-04074A	1	S	Belt, V-Type
43	756-04224	1	/P	Idler Pulley, Flat 2.75 OD
44	756-1166	1		Pulley, Input, 5.0 OD
45	783-04570A	1	S	Idler Arm
46	783-04579A	1	S	Bracket, Torque
47	783-04585A	1		Mounting Bracket, Handle
48	783-04600A	1	S	Bracket, Support
49	647-04054A	1		Pedal Assembly, Drive
50	783-04862	1	/P	Latch Assembly, Engagement
51	710-0607	1	/P	Screw, 5/16-18, 0.50,
52	710-04483	1		Screw, 1/4-14, 0.625
53	711-0736	1	/P	Ferrule 1/4-20
54	720-04050	1		Knob
55	726-0214	1	/P	Push Cap, 5/8
56	735-0239	1	/P	Foot Pad, 4.0
57	736-0247	1	/P	Washer, Flat, .406 x 1.25 x .157
58	683-04226	1	S	Lever, Parking Brake
59	747-04430	1		Control Rod
60	710-3144	1	/P	Hex Screw, 3/8-16, 2.00
61	750-04465	1		Spacer, Flange, .390 x .671 x .95
62	750-0802	1		Spacer, .640 x .76 x 2.63
63	783-04536	1		Support Bracket, Pedal
64	17962	1		Plate, Switch
65	728-04021	1		Pop Rivet, .187 dia.
66	725-04039	1	S	Switch, Interlock
67	710-0627	1	/P	Screw, 5/16-24, .750, Gr5
68	736-0242	1	/P	Bell Washer, .34 x .872 x .060
69	634-0104	1		Wheel Assembly
69	734-1730	1		Tire Only, 20 x 8 x 8 Not shown
69	634-0070	1	/P	Rim Assembly Not shown
69	734-0255	1	S	Air Valve Not shown
70	756-04224	1	/P	Idler Pulley, Flat 2.75 OD
71	736-0607	1	/P	Washer, Lock 5/16 Ext. Tooth
72	714-3004	1		Pin, Cotter, 3/32 x 1.25
73	710-3009	1	/P	Screw, #10-24 x 0.75
74	748-0334	1	S	Spacer, .68

13AN795G790 LT-542H (2007)
Engine Accessories

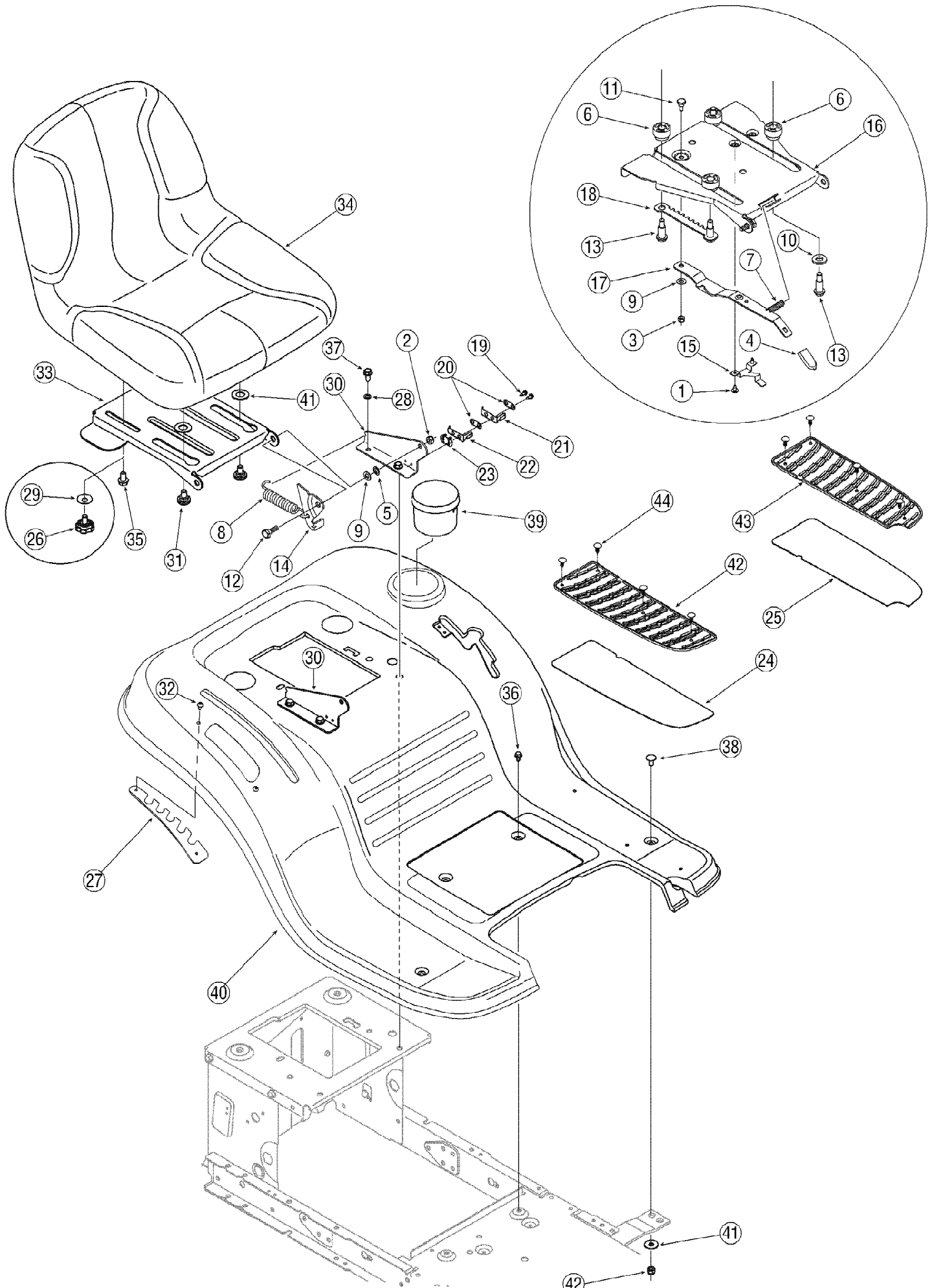


13AN795G790 LT-542H (2007)
Engine Accessories

Page 8 of 23

Ref #	Part Number	Qty	S/P/F	Description
1	710-0227	1	/P	Screw, #8-18 x .50
2	710-1502	1		Screw, #8-18 x .375
3	710-0604A	1	/P	Self-tapping Screw, 5/16-18, .625
4	710-1237	1		Screw, #10-32, .625
5	710-1314A	1	/P	Socket Cap Screw, 5/16-18, .625
6	710-1315	1	/P	Self-tapping Screw, 3/8-16, 1.25
7	751-10013	1		Exhaust Pipe
8	783-04573	1		LH Muffler Bracket
9	725-0157	1	/P	Cable Tie, 7.4"
10	726-0205	1	/P	Hose Clamp, .490
11	710-0599	1	/P	Screw, 1/4-20, 0.500
12	751-9986A	1	/P	Muffler, Bug
13	783-04574	1		RH Muffler Bracket
14	751B221535	1	/P	Casing Clamp
15	751-10349	1		Fuel Line Hose
16	751-0564B	1	/P	Muffler Deflector See note
17	751-10162	1		Muffler, Single Inlet
18	783-04576	1		Muffler Shield
19	751-0620A	1	/P	Exhaust Pipe
20	751-3140	1	S	Oil Drain Valve
21	751-3141	1	S	Oil Drain Hose
22	751-3142	1		Oil Drain Cap
23	783-0615D	1	S	Muffler Heat Shield See note
24	721-0348	1		Exhaust Gasket
25	731-05628	1		Oil Drain Sleeve
26	751-0617B	1	S	Muffer, Single Inlet See note
27	721-0208	1	S	Exhaust Gasket See note
28	737-0143	1	S	Oil Drain Cap, 3/8-18
29	737-0199	1	S	Oil Drain Pipe, 3/8-16, 2.0
30	712-04065	1	/P	Flange Lock Nut, 3/8-16
31	751-0619A	1	/P	Exhaust Pipe
32	751B222261	1		Muffler Deflector See note
33	736-0300	1	S	Flat Washer, .406 x .875 x .059
34	738-0143	1	/P	Shldr Screw, .498 x .340 x 3/8-16
35	751-0622A	1	/P	Exhaust Pipe
36	712-0271	1	/P	Hex Sems Nut, 1/4-20
37	751-10047	1		Kohler Courage Exhaust Pipe
38	KH-20-041-12-S	1	/P	Gasket, Kohler Courage

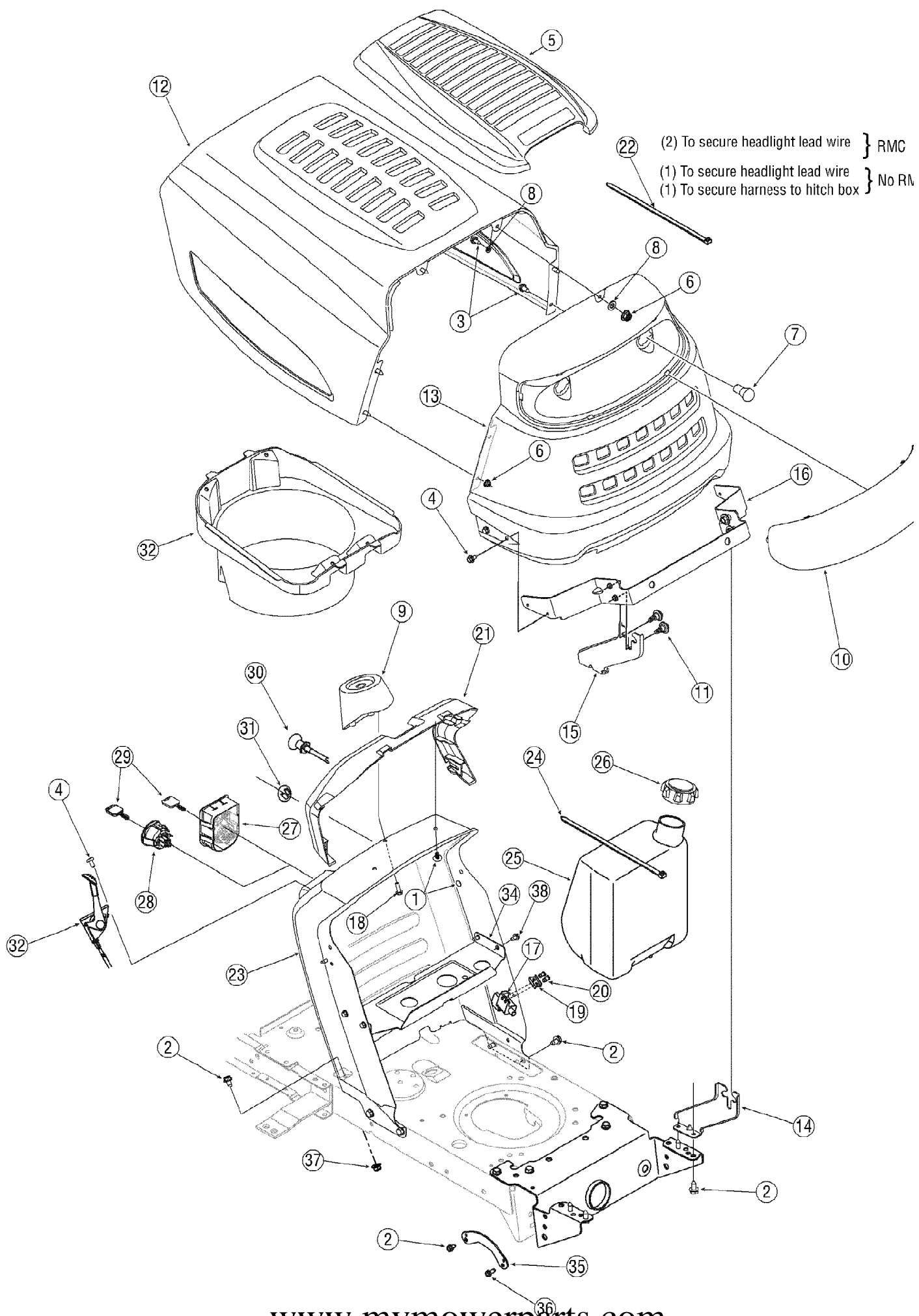
13AN795G790 LT-542H (2007)
Fender and Seat Assembly



13AN795G790 LT-542H (2007)
Fender and Seat Assembly

Page 10 of 23

Ref #	Part Number	Qty	S/P/F	Description
1	710-1268	1	/P	Screw, #10-16, .375
2	712-04063	1	/P	Nut, Flange Lock, 5/16-18, GrF
3	712-3027	1	S	Nut, Flange Lock, 1/4-20
4	720-0309A	1	/P	Seat Adjuster Grip
5	726-0201	1		Nut, Speed, .3125 Id
6	731-04074	1		Spacer
7	732-0499	1		Compression Spring, .41 x 1.5
8	732-1184	1	/P	Spring, Exten., .84 Dia x 4.6 Lg.
9	736-0242	1	/P	Wash, Flat, .340 x .872 x .060
10	736-3019	1		Wash, Flat, .531x 1.062 x .134
11	738-0137A	1	S	Screw, Shlder, .340 x .285, 1/4-20
12	738-0296	1	S	Scr., Shlder, .437 x .268, 5/16-18
13	738-0966	1	S	Screw, Shlder, .50 x .925, 3/8-16
14	783-0209D	1	/P	Lift Bracket, Seat
15	783-0611	1		Seat Stop
16	783-0738B	1	S	Seat Pivot Bracket
17	783-0739A	1	S	Seat Adjustment Lever
18	783-0753	1		Seat Adjustment Selector
19	710-0227	1	/P	Screw, #8-18 x .50
20	726-0279	1		Plate, Insulator
21	725-1303	1	S	Spring Switch, Outer
22	725-1439	1		Spring Switch, Inner
23	726-0278	1		Plate, Insulator Boss
24	723-04025	1		Foot Pad, Abrasive, RH
25	723-04026	1		Foot Pad, Abrasive, LH
26	720-04061	1		Knob, 3/8-16, .875
27	783-04843	1		Lift Adjustment Bracket
28	736-0607	1	/P	Lock Washer, 5/16
29	736-0101	1	S	Washer, Flat, .406 x 1.00 x .030
30	783-1489C	1		Mounting Bracket, Seat
31	738-04012A	1	/P	Screw, Shlder, .625 x .175, 3/8-16
32	710-04483	1		Screw, 1/4-20 x .500
33	783-04081B	1		Pivot Bracket, Seat
34	757-04001A	1	/P	Seat, Low, Black
34	757-04037	1	S	Seat, Medium, Black
34	757-04038A	1	/P	Seat, Low, Yellow
35	710-04482	1		Screw, 3/8-16, .875
36	710-0599	1	/P	Screw, 1/4-20, 0.500
37	710-0604A	1	/P	Screw, 5/16-18, 0.625
38	783-04593B	1		Fender, Hydrostatic
39	731-04591A	1	/P	Cup Holder
40	736-0300	1	S	Flat Washer, .406 x .875 x .059
41	736-0140	1	S	Flat Washer, .395 x .62 x .063
42	735-04048	1		Foot Pad, Rubber RH
43	735-04047	1		Foot Pad, Rubber LH
44	726-3046	1	/P	Ratchet Clip (For use w/ rubber foot pad)



13AN795G790 LT-542H (2007)
Hood Assembly

Page 12 of 23

Ref #	Part Number	Qty	S/P/F	Description
1	726-04072	1	S	Ratchet Clip .250 Dia. x .500 Lg.
2	710-0604A	1	/P	Screw, 5/16-18, 0.625
3	710-0751	1	/P	Screw, 1/4-20, .620, Gr5
4	710-04483	1		Screw, 1/4-20, .500
5	731-05522	1		5-Style Hood Cover 765 & 775 Models Only
6	712-04064	1	/P	Nut, Flange Lock, 1/4-20, Gr5
7	725-0963	1	S	Headlamp, 12V
8	736-0176	1	S	Washer, Flat, .265 x .938 x .120
9	731-04945	1		Support, Steering
10	731-04949	1	S	Lens
11	738-04091	1	S	Screw, Shoulder, .43 x.29, 5/16-18
12	783-04551	1		Hood
13	783-04552	1		Grille
14	783-04577A	1	S	Pivot Bracket, LH
15	783-04578A	1	S	Pivot Bracket, RH
16	783-04621	1	S	Pivot Bracket, Grille
17	725-04039	1	S	Switch Models equipped with Reverse Caution Mode
18	710-0895	1		Screw, 1/4-15, 0.750
19	17962	1		Switch Plate Models equipped with Reverse Caution Mode
20	728-04021	1		Pop Rivet Models equipped with Reverse Caution Mode
21	731-04947A	1	/P	Collar, Dash
22	725-0157	1	/P	Cable Tie
23	683-04189	1	S	Dash Assembly (w/o Ammeter)
23	783-04889	1	S	Dash Assembly (w/ Ammeter)
24	726-0230	1	/P	Cable Tie, 34.75
25	751-0555B	1	/P	Fuel Tank, 1.5 gal.
26	751-0603	1	S	Fuel Tank Cap
27	725-04227B	1	S	Module, Ignition Switch (RMC) Reverse Caution Mode
28	725-1741	1	S	Ignition, Switch (No RMC) No Reverse Caution Mode
29	725-1744	1	S	Key
30	746-1085A	1	S	Choke Control, 37.5"
31	731-05265	1		Plug
32	731-05147A	1	/P	Plenum (Single Cylinder Engine)
32	731-05566	1		Plenum (Kohler Single Cylinder)
32	731-05165	1		Plenum (Twin Cylinder Engine)
33	746-04364	1		Throttle/Choke Control, 25" (Single Cylinder Engine)
33	746-1086	1	S	Throttle Control, 39" (Twin Cylinder Engine)
34	783-04584	1	S	Gas Tank Support Bracket
35	783-05027	1		Front Pivot Support Bracket
36	710-1260A	1	/P	Screw, 5/16-18 x .750
37	712-04063	1	/P	Flange Lock Nut 5/16-18
38	710-0599	1	/P	Screw, 1/4-20, 0.500

13AN795G790 LT-542H (2007)
Hood Assembly

Page 13 of 23

Ref #	Part Number	Qty	S/P/F	Description
	725-04432	1	S	Wire Harness (RMC) Not shown, Reverse Caution Mode
	725-04433	1	S	Wire Harness (No RMC) Not shown
	725-04481	1		Wire Harness (No RMC) Kohler Only Not shown
	777X41984	1		Headlight Lens Reflector Not shown

13AN795G790 LT-542H (2007)
PTO and Controls

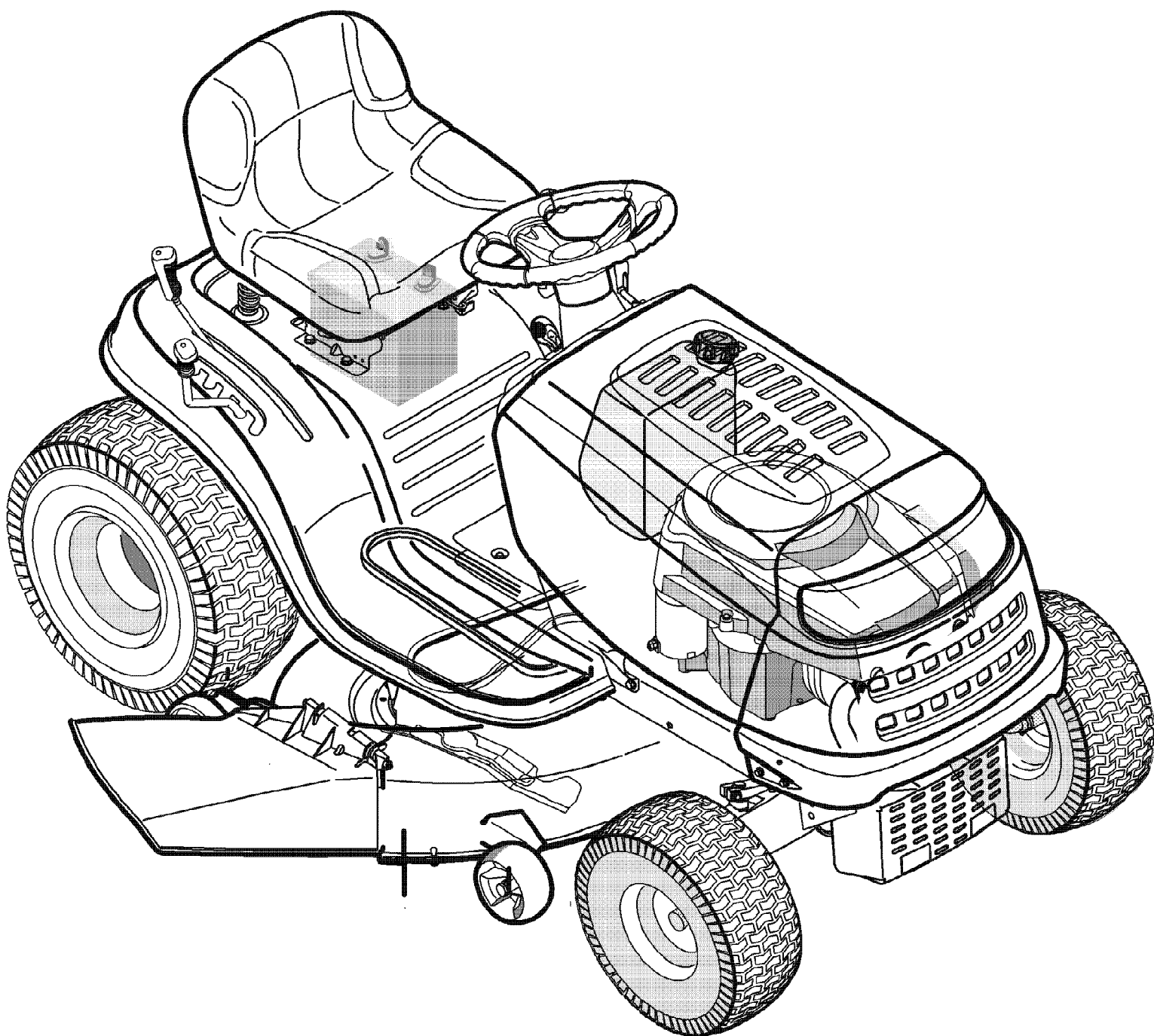
Page 15 of 23

Ref #	Part Number	Qty	S/P/F	Description
1	783-0678C	1	/P	Deck Lift Link
2	647-04096	1		Handle Asswmbly, PTO
3	738-04237	1		Shoulder Screw, #10-16, 0.500
4	710-0599	1	/P	Screw, 1/4-20, 0.500
5	710-3157A	1	/P	Screw, 7/16-20, 3.25 38 & 42" Dk.
5	710-04607	1		Screw, 7/16-20, 2.75 46" Deck
7	714-0145	1	S	Pin, Click, .092 x 1.64
8	720-04049	1	S	Grip, Handle, 3/8
9	732-04276A	1	/P	Spring, Extension
10	736-0171	1	S	Washer, Lock, 7/16
11	736-0300	1	S	Washer, Flat, .406 x .875 x .059
12	736-0322	1	/P	Washer, Flat, .450 x 1.250 x .164
13	741-04119	1	S	Bearing, PTO
14	746-04173B	1	S	Cable, Deck Engagement
15	783-04753	1		Frame Support Bracket
16	756-04067A	1	S	Engine Pulley, 38" & 42" Deck
16	756-04208	1	S	Engine Pulley, 46" Deck
17	725-04363	1		Switch, Interlock
18	747-04332A	1	/P	Rod, Belt Keeper (38" Deck)
18	747-04307	1	S	Rod, Belt Keeper (42" Deck)
18	683-04414-0637	1	/P	Rod, Belt Keeper (46" Deck)
19	710-1260A	1	/P	Screw, 5/16-18, .750
20	683-04163A	1		Frame Assembly
21	710-0642	1	/P	Screw, 1/4-20, 0.750
22	710-0604A	1	/P	Screw, 5/16-18, 0.625
23	712-04064	1	/P	Nut, Flange Lock, 1/4-20, GrF
24	732-04035	1		Spring, Compr. , 1.28 OD x 3.125
25	736-0222	1	S	Washer, Lock, 1/4
26	747-04385	1	S	Hold Down Rod, Battery
27	783-04869	1		Bracket, Battery
28	783-04548A	1	S	Seat Bracket, Frame
29	783-04637	1	S	Bracket, Runing Board
30	725-04439	1		Solenoid
31	683-04155A	1	S	Shaft Assembly Lift 38/42" Decks
32	712-04065	1	/P	Nut, Flange Lock, 3/8-16, GrF
33	714-04043	1		Pin, Cotter .08 x 1.56 Intern. RH
33	714-0470	1	S	Pin, Cotter .080 x 1.25 Intern. LH
34	716-0106A	1		Ring, E-Type, .625 Dia.
35	720-0311	1		Grip, Handle, 1/2
36	732-04225	1		Spring, Torsion 38/42" Decks
37	738-04130	1		Screw, Shldr. , .625 x .175, 3/8-16
38	741-0225	1	S	Bearing, Hex Flange
39	747-04393	1		Rod, Lift
40	747-04282	1		Deck Handle, Lift, 38/43" Decks
41	783-04494	1		Lift Arm, Deck - RH
41	783-04711	1		Lift Arm, Deck - LH
42	710-04466	1	S	Screw, Carriage, 1/4-20, .75, Gr5
43	712-0271	1	/P	Nut, Sems, 1/4-20
44	725-1737A	1	S	Battery, 190 CCA
44	725-1704A	1	S	Battery, 125 CCA
45	683-04195	1		Support Bracket Assembly
46	710-0134	1	/P	Carriage Screw, 1/4-20 x .62
47	710-3025	1	/P	Screw, 5/16-18 x .625

13AN795G790 LT-542H (2007)
PTO and Controls

Page 16 of 23

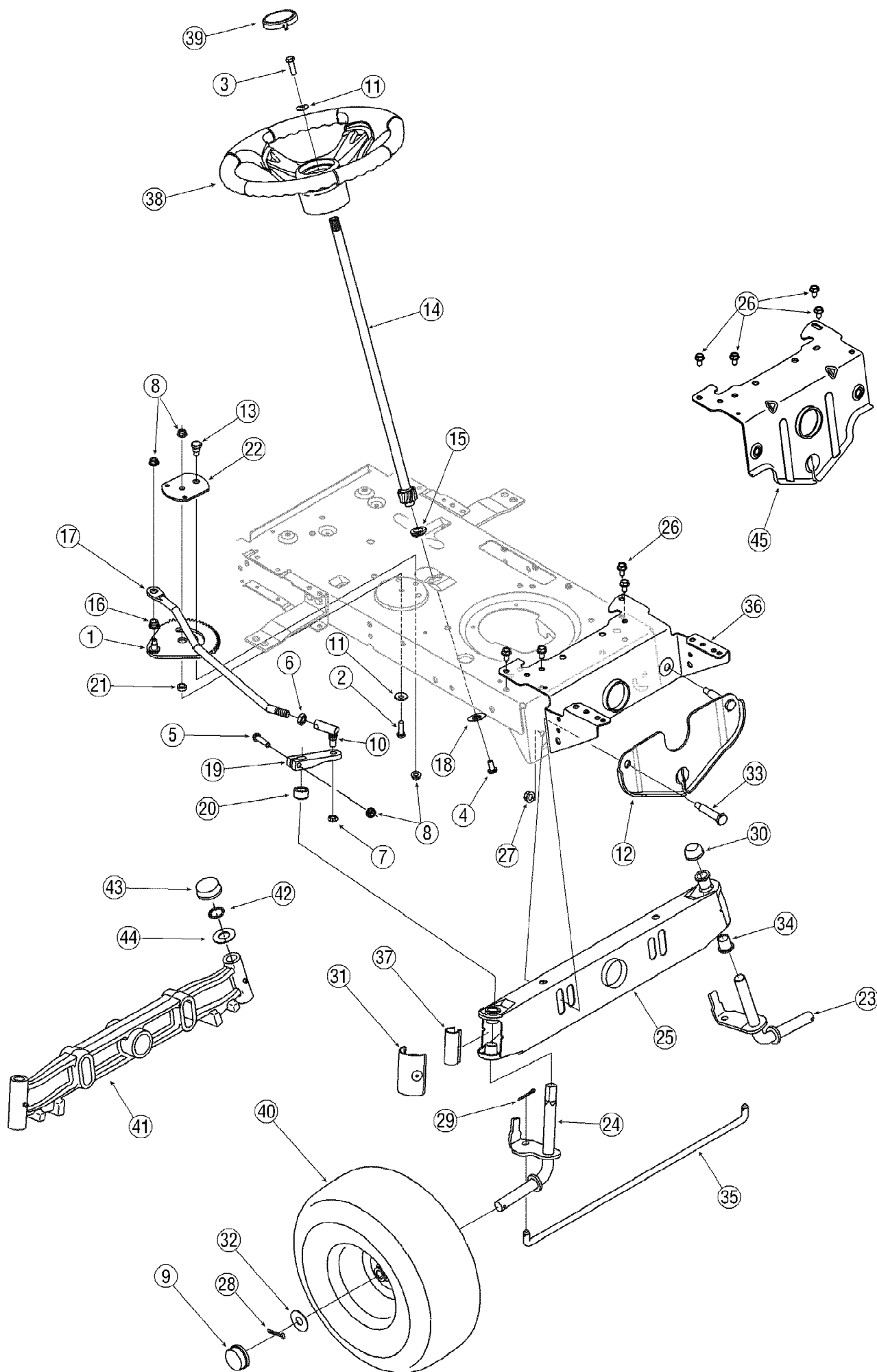
Ref #	Part Number	Qty	S/P/F	Description
48	712-04063	1	/P	Flange Lock Nut, 5/16-18
49	712-0429	1	S	Hex Lock Nut, 5/16-18
50	736-0173	1	/P	Flat Washer, .28 x .74 x .063
51	710-3008	1	/P	Hex Screw, 5/16-18 x .75
52	683-04334	1	S	Shaft Assembly Lift 46" Decks
53	720-0298	1		Grip, Handle, 5/8
54	732-04438	1		Spring, Torsion 46" Deck
55	732-0934	1		Extension Spring
56	736-0140	1	S	Washer, Flat, .385 x .62 x .063
57	736-0226	1	S	Washer, Flat, .474 x .879 x .064
58	738-0380	1	S	Bolt, Shldr. .500 x .270 3/8-16
59	738-0754	1		Screw, Shldr. , .437 x .54
60	747-04653	1		Deck Handle, Lift, 46" Deck
61	783-04462	1		Lift Bracket
62	783-05389	1	S	Frame Brace Bracket
63	750-0956	1		Spacer, 1.010 x 1.400 x .825



13AN795G790 LT-542H (2007)
Quick Reference 795G

Page 18 of 23

Ref #	Part Number	Qty	S/P/F	Description
	942-0616A	2	/P	Blades
	712-0417A	1	/P	Blade Nut
	N/A	1		Upper drive Belt
	754-04074A	1	S	Lower drive Belt
	954-04060B	1	/P	Deck Spindle Belt
	N/A	1		Engine To deck Belt
	918-04456	2	S	Deck Spindles
	925-1745	1	S	Ignition Keys
	725-04439	1		Solenoid
	BS-492932S	1	/P	Oil Filter
	BS-698083	1	S	Air Filter
	BS-697015	1	/P	Pre-Cleaner Element
	759-3336	1	/P	Spark Plug
	951-3013	1	S	Fuel Filter
	951-3111	1	S	Fuel Cap
	734-0973	2	/P	Deck Wheels
	723-0448A	1	S	Ball Joints
	741-0516B	1	/P	Wheel Bushings
	741-0990B	1	/P	Wheel Bushings in board
	725-04363	1		Safety Switch-deck
	725-04363	1		Safety Switch-Brake/Clutch
	737-04003C	1	S	Water Nozzle Adapter
	190-679-101	1		Front Bumper (2007) (Attachment)
	190-833-000	1	S	46" Front Dozer Blade (2007) (Attachment)
	190-032-101	1		42" 2-Stage Snow Thrower (2007) (Attachment)
	19A-218-000	1		Rear Mount Weight (2007) (Attachment)
	190-116-000	1		Mulch Kit (2007) (Attachment)
	190-180-190	1	S	Twin Bagger (2007) (Attachment)
	490-900-0025	1		Deck Wash Kit (Attachment)
	OEM-190-658	1	S	Tire Chains, 20 x 8 Tires (Attachment)
	OEM-190-607	1	F	Deluxe Tractor Sunshade (Attachment)
	OEM-190-215	1	/P	Rear Wheel Weight Kit (Attachment)



13AN795G790 LT-542H (2007)
Steering

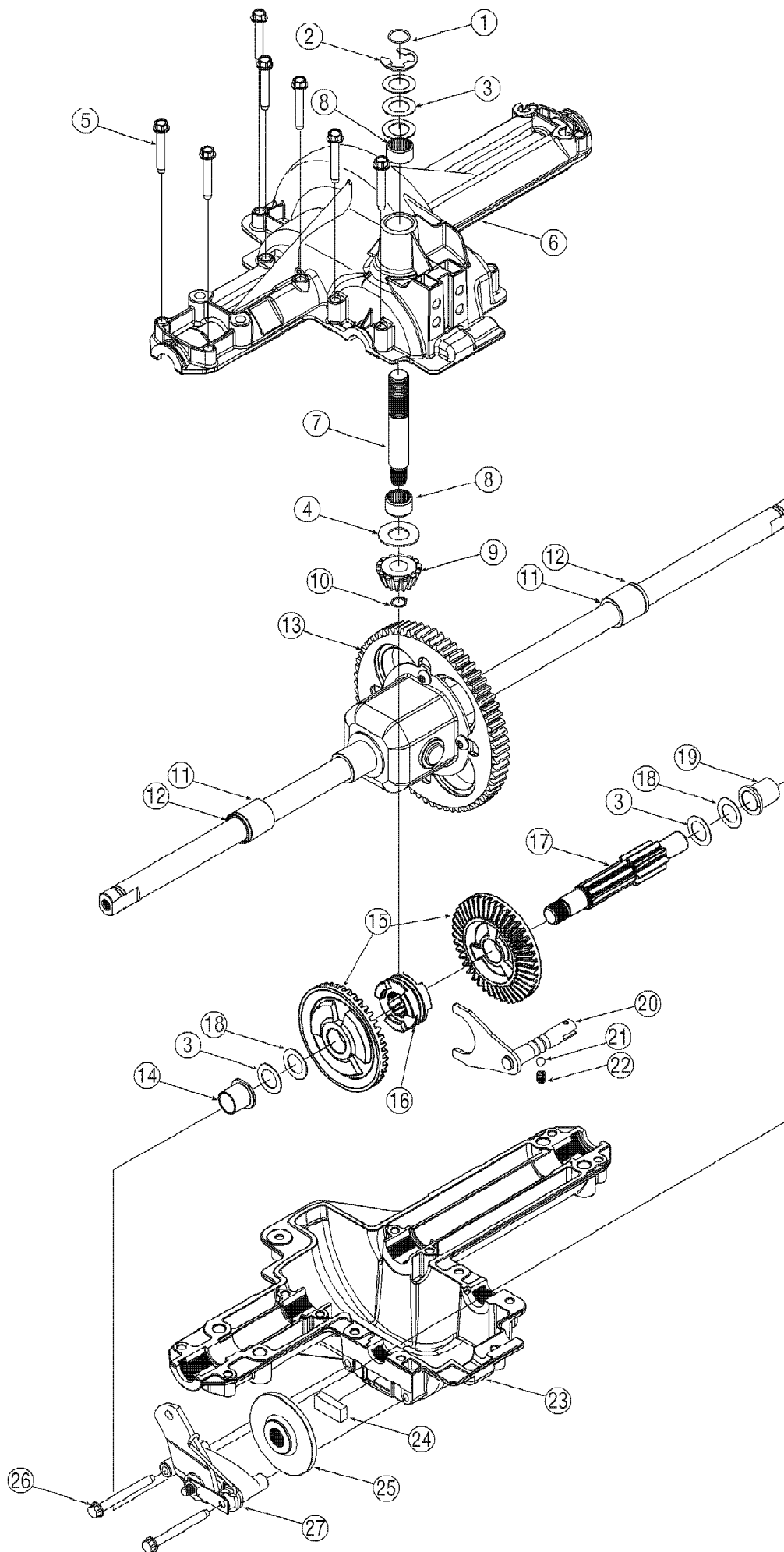
Page 20 of 23

Ref #	Part Number	Qty	S/P/F	Description
1	617-04024	1	S	Gear Assembly, Steering
2	710-0376	1	/P	Screw, 5/16-18, 1.00, Gr5
3	710-0643	1	/P	Screw, 5/16-18, 1.00, Gr5, Lock
4	710-1309	1	/P	Screw, Mach, 5/16-18, 0.750
5	710-3180	1	/P	Screw, 5/16-18, 1.75, Gr5
6	712-0240	1	S	Nut, Jam, 7/16-20, Gr2
7	712-0262	1	/P	Nut, Jam Lock, 3/8-24, Gr2
8	712-04063	1	/P	Nut, Flange Lock, 5/16-18, Grf
9	731-0484A	1	S	Hub Cap
10	723-0448A	1	S	Ball Joint, 7/16-20, Lock
11	736-0242	1	/P	Washer, Bell, .340 x .872 x .060
12	783-04568	1		Front Hanger Bracket, Deck
13	738-04141	1		Scr., Shlder, .435 x .3485, 5/16-18
14	738-0919	1	S	Steering Shaft, 5/8 Spline x 21.86
15	741-04124	1	S	Bearing, Flange, Hex 5/8
16	741-0475	1	S	Plastic Bushing .380 ID
17	747-04298	1		Drag Link, Steering
18	748-0389	1	S	Cap, 1.25 x .16
19	748-04065	1	S	Steering, Block
20	748-04068	1		Spacer, .710 ID x .125 OD x .56
21	750-04418	1		Spacer, .322 ID x .625 OD x .21
22	783-04644	1	S	Stabilizer Plate, Gear Segment
23	638-04007	1	S	Axle Assmby LH (38" & 42" Deck)
23	638-04013	1	S	Axle Assembly, LH (46" Deck)
24	638-04008	1	S	Axle Assmby RH (38" & 42" Deck)
24	638-04014	1	S	Axle Assembly, RH (46" Deck)
25	683-0128B	1	/P	Pivot Bar
26	710-0604A	1	/P	Screw, 5/16-18, 0.625
27	712-04065	1	/P	Nut, Flange Lock, 3/8-16, GrF
28	714-04039	1		Pin, Cotter, 5/32, 1.25
29	714-0474	1	S	Pin, Cotter, 1/8 x 0.75
30	726-0341	1	/P	Push Cap, 3/4
31	731-04057A	1		End Cap, Pivot Bar (Standard)
31	731-1291A	1	S	End Cap, Pivot Bar (w/ Fitting)
32	736-04228	1		Washer, Flat, .781 x 1.59
33	738-04128	1		Scr., Shlder, .500 x 2.380, 3/8-16
34	741-0660A	1	/P	Bearing, Flange, .760 x .941 x 1.0
35	747-04299A	1	/P	Tie Rod
36	783-04601B	1		Bracket, Pivot
37	731-04057A	1		Axle End Cap, Standard
38	631-04028	1		Steering Wheel, Standard Grip
38	631-04008	1	S	Steering Wheel, Soft Grip
39	731-04039	1		Cap, Steering Wheel (no logo)
39	731-04040	1		Cap, Steering Wheel (sprig logo)
39	731-04681	1		Cap, Steering Wheel (tine logo)
40	634-04325	1		Wheel Ass'y, Round Shoulder
40	734-04240A	1		Tire Only, 15 x 6 x 6, Round Shld. not shown
40	634-04086	1		Wheel Ass'y, Square Shoulder not shown
40	734-1731	1		Tire Only, 15 x 6 x 6, Square Shld. not shown
40	634-04081	1	S	Rim Assembly (Incl. bearings and valve stem) not shown
41	719-04105	1	/P	Pivot Bar, Cast

13AN795G790 LT-542H (2007)
Steering

Page 21 of 23

Ref #	Part Number	Qty	S/P/F	Description
42	726-04035	1		Push Nut 3/4 Dia.
43	731-04693	1		Push Cap
44	736-0316	1	S	Washer, Flat, .78 x 1.59 x .60
45	783-05326	1	S	Pivot Bar Bracket, T-Style Hood



13AN795G790 LT-542H (2007)
Transmission

Page 23 of 23

Ref #	Part Number	Qty	S/P/F	Description
1	732-0614	1		Ring, Wire
2	716-0231	1	S	Ring, E Type,.750
3	736-0336	1	S	Flat Washer, 5/8 x 1.0 x.030 Use applicable flat washer (ref. #'s 3 or 18) in this application allowing .0150/.0020 in. end-play
3	736-0337	1	S	Flat Washer, 5/8 x 1.0 x.040 Use applicable flat washer (ref. #'s 3 or 18) in this application allowing .0150/.0020 in. end-play
3	736-0349	1	S	Flat Washer, 5/8 x 1.0 x.020 Use applicable flat washer (ref. #'s 3 or 18) in this application allowing .0150/.0020 in. end-play
4	736-0335	1	S	Washer, Thrust.635 x 1.26 x.06
5	710-1325	1	/P	Self-tapping Screw, 1/4-20 x 1.625
6	719-04017	1	S	Upper Housing
7	711-1109	1		Input Shaft
8	741-0335	1	S	Needle Bearing,.625 x.813 x.495
9	717-1464	1		14-tooth Bevel Pinion
10	716-0108	1	S	Retaining Ring,.437
11	741-0340	1	S	Sleeve Bearing,.75 x 1.0 x 1.0
12	721-0338	1	S	Seal,.75 x 1.0 x.125
13	618-04041A	1	S	Differential Assembly
14	741-0336	1	S	Flange Bearing, 5/8 x 3/4 x 3/4
15	717-04056	1	S	42-tooth Bevel Gear
16	718-04045	1	S	Clutch Collar
17	711-04134	1	S	Drive Shaft
18	736-0495	1	S	Thrust Washer, 1.0 x.632 x.0 Use applicable flat washer (ref. #'s 3 or 18) in this application allowing .0150/.0020 in. end-play
18	736-0494	1		Flat Washer,.632 x 1.00 x.035 Use applicable flat washer (ref. #'s 3 or 18) in this application allowing .0150/.0020 in. end-play
19	741-0337	1	S	Flange Bearing, 5/8 x 3/4 x 15/16
20	611-0011	1	S	Detent Shaft Assembly
21	741-0862	1	/P	Detent Ball
22	732-0863	1	S	Compression Spring
23	719-04018	1	S	Lower Housing
24	717-0678	1	S	Brake Puck
25	761-0202	1		Brake Disc
26	710-1206	1	/P	Self-tapping Screw, 1/4-20 x 2.375
27	661-0001	1	S	Brake Assembly
	737-0148	1	S	Grease (19 oz.) Not shown